

FLOOR ENCLOSURES

Part Number

HN-FLE-601-KD

Description

6' 40 RMS 23.6" X 39.4" - MESH FRONT DOOR FLOOR ENCLOSURE

HN-FLE-701-KD

7' 45 RMS 23.6" X 39.4" - MESH FRONT DOOR - FLOOR ENCLOSURE



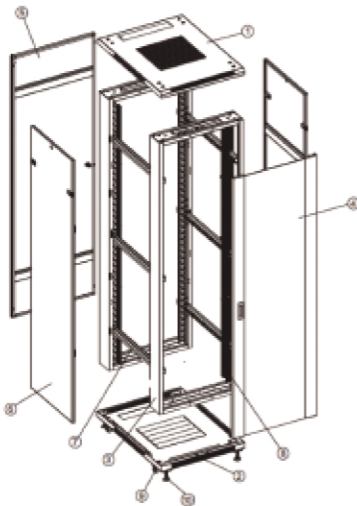
Product: 19" Floor Enclosures
Type: Mesh front door (airflow and heat dissipation)
RU: 40U / 45U
Width(“): 23.6
Height(“): 80.9 / 86.7
Depth (”): 39.4

Fabrication Details

- Side & Top Panel Fabrication:
- 18AWG (1,27mm) Steel
- Structure & Base Fabrication 16AWG (1,59mm) Steel
- Reversible Front Locking Door w/ Steel Mesh
- Preinstalled 2 Units 80CFM 110V Fans
- Black Electrostatic Powdercoat

Remark

- Front-mesh door
- Rear- solid door
- Flat packing



Components

S/N	Specification	Quantity
1	Door frame	2
2	Horizontal beams	6
3	Vertical rails	4
4	Top cover	1
5	Front door	1
6	Rear solid metal door	1
7	Side panel	4
8	M12 leveling feet	4
9	2" castor (without brake)	4
10	Bottom panel	1